

## Instruction Manual for N85-N120 50mm / 34.7mm /41.5mm Port Adaptor

PN# 36207 / 36064 / 36184

### FOREWORD

Thank you for your purchase of a NAUTICAM product.

At NAUTICAM, we pride ourselves in the ability to recognize the requirements of professional as well as amateur underwater photographers and fulfill them through the innovative designs of our products. We strive to achieve a high level of user-friendliness by allowing stress-free installation and easy operation of all important functions of the camera.

Please read this manual carefully before using the product, this will maximize its performance as well as its lifetime.

### WARRANTY

All NAUTICAM Products are warranted against any material and manufacturing defects for two years from the date of purchase for consumer use. This warranty only applies to products purchased from authorized NAUTICAM dealers and does not extend beyond the original retail purchaser.

To return your product for service, please contact your regional authorized service center(s). Please note that this warranty only applies when the product is purchased in the territory where the service center is located.

NAUTICAM does not hold responsibility for damage, of any nature, to any equipment used with and/or placed within our products.

NAUTICAM accepts no liability for any loss of captured images or the inability to capture images even if it is due to the malfunctioning of our products.

Unauthorized modifications and/or repairs of our products will automatically invalidate the warranty.

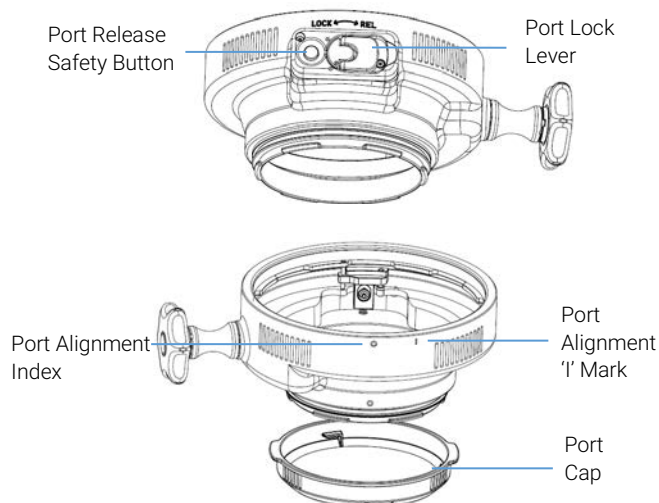
### PRECAUTIONS

- After installation of the port combo, please make sure the O-ring (s) are free from debris and uneven surface issues.
- A water-tight test without the camera inside the housing is highly recommended after the changing of port and O-ring(s).
- Do not use lubricants from other brands with the silicone rubber O-ring on this housing, only use the lubricant provided by NAUTICAM.
- Discontinue use immediately should you notice any leakage.
- Do not open the product in a wet or sandy environment. Protect the interior from moisture and debris in order to prevent malfunction or leakage.
- Defective products should be shipped to our distributors for service, unauthorized disassembling and/or modifications could result in malfunction or leakage.

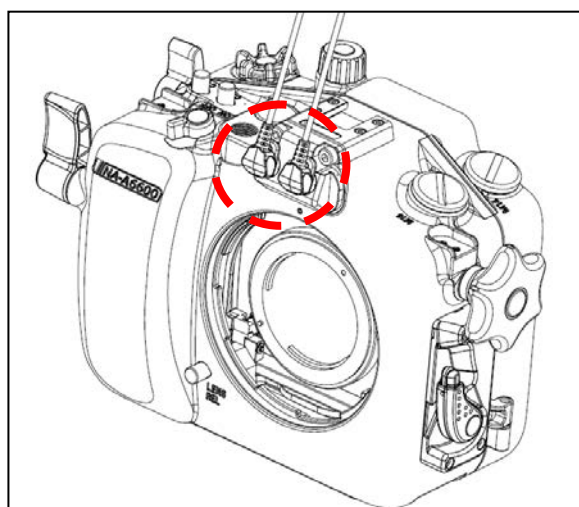
### PACKAGE CONTENTS

- N85-N120 Port adaptor
- Rear cap
- 1x Spare O-ring
- Lubricant
- Manual instruction card

### IDENTIFICATION OF PARTS

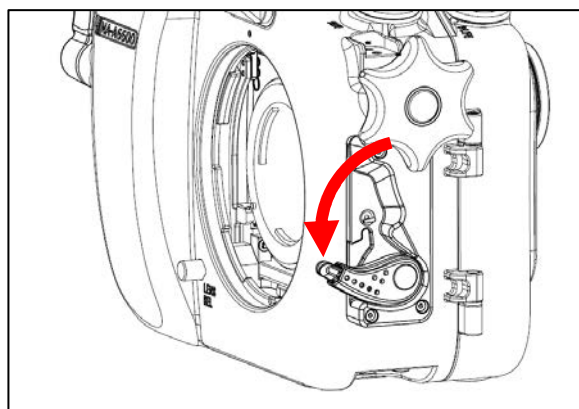


### MOUNT THE ADAPTOR TO A HOUSING

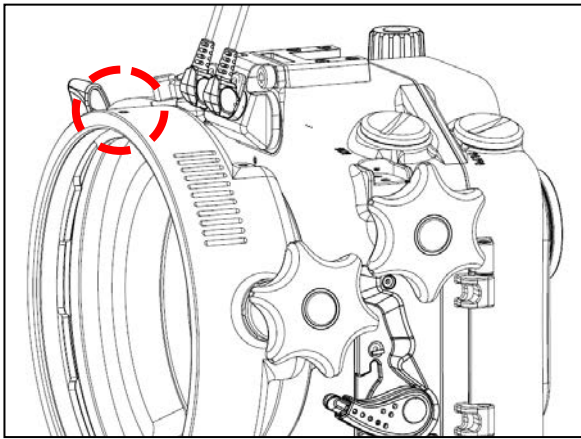


1. Install the camera body into the housing first and mount the optical fiber cables to the housing in the case of using strobes.

Please refer to the housing manual for installing camera and mounting port to the housing.



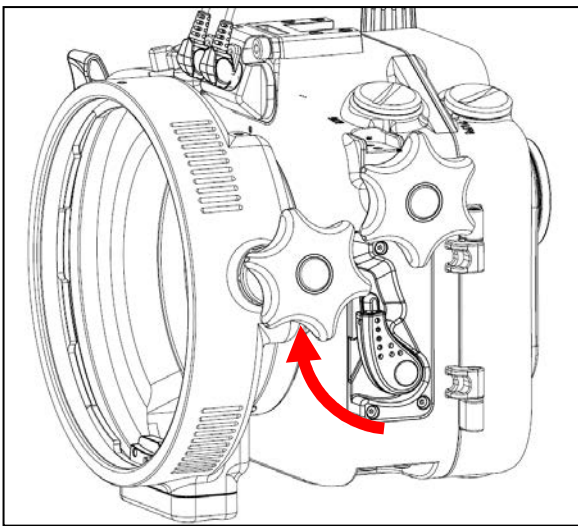
2. Turn the port locking lever of the housing to the release position as shown.



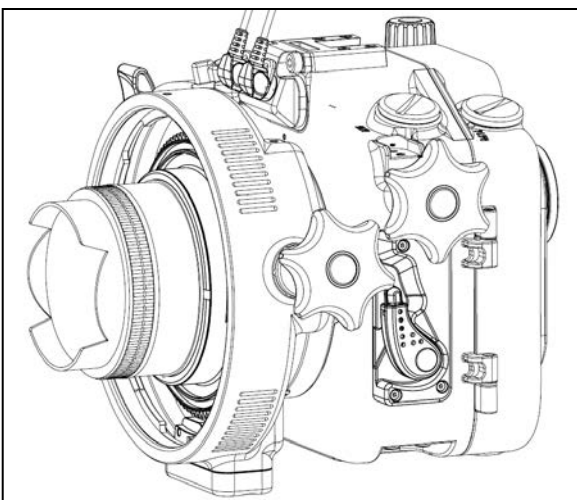
- Align the port mounting indicates of the N85 to N120 50mm port adaptor II and the housing.

Then, gently push the adaptor into the port opening of the housing, until it cannot go in any further.

### MOUNT THE LENS

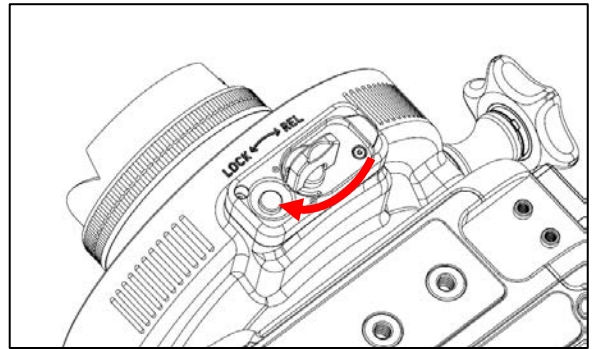


- Lock the adaptor into place by turning the port locking lever of the housing to the inward position. To ensure that the adaptor is securely mounted, confirm that the green line on the safety button of the port locking lever is visible.

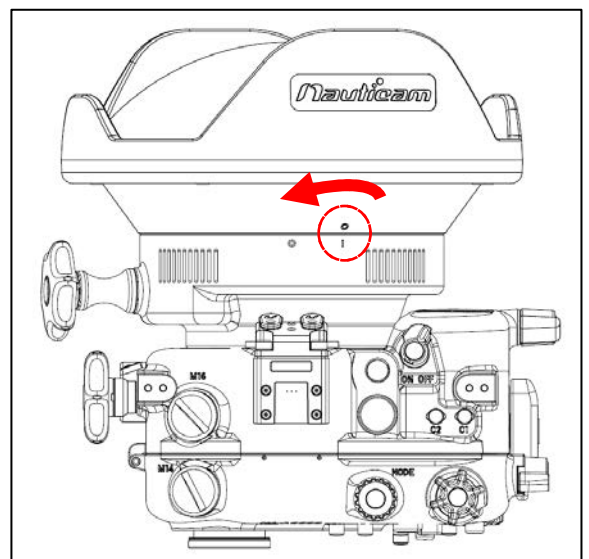


- Mount the lens (with gears attached) on the camera. Make sure that the zoom/focus knob on the adaptor is at its most outward position before mounting/ dismounting the lens. The knob should be left at this.

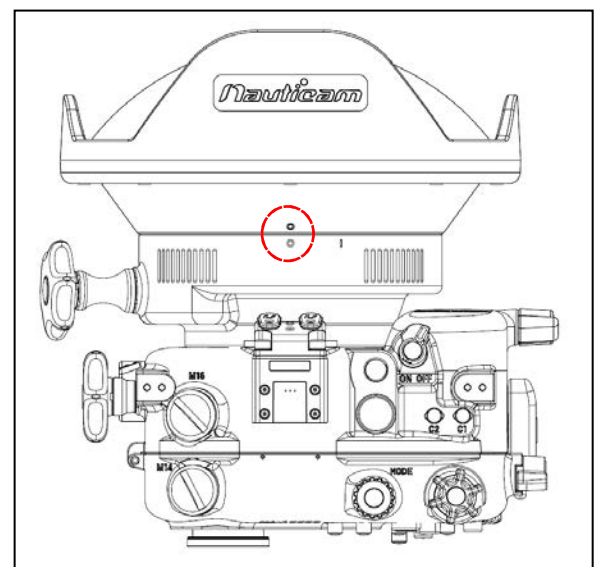
### INSTALL DOME PORT



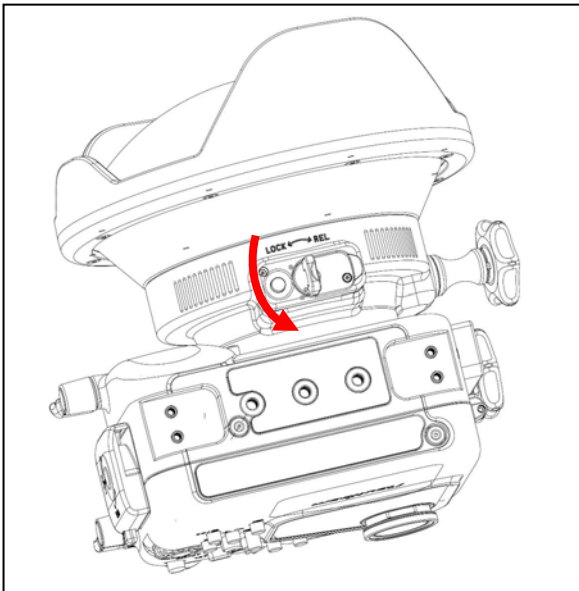
- Lift the port lock/ release latch on the other side of the adaptor. Then Press and hold the RED port release safety button, turn the port lock/release latch clockwise until it stops.



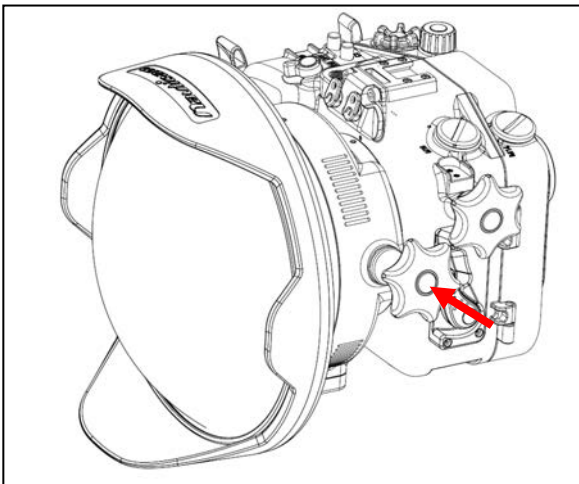
- Align the "I" mark on the adaptor with the WHITE dot on the port. Gently push the port towards the adaptor until it cannot go in any further.



- Turn the port count clockwise until the white dot on the adaptor aligns with the white dot on the port.



4. To lock the port in place, turn the port lock/release latch count clockwise to the original position and then flip it down.



5. Engage the focus gear on the lens by pushing the knob inwards, then turn the knob both ways to check if the lens is functioning

To unlock, reverse the above procedures.

\*36207 N85-N120 50mm Port Adaptor II is compatible with 36206 N85 - N120 50mm Port Adaptor (With Zoom Control for N120 DSLR Zoom Gears for Tokina 10-17), and NA-A6600 housing is only compatible with 36207

## SPECIFICATIONS

Port Mount :	N85
36207 Dimensions :	DIA144.9×59.4
36064 Dimensions :	DIA144.0×44.6
36184 Dimensions :	DIA144.9×51.4
Type :	N85-N120 50mm Port Adaptor II
Compatible housings :	Sony N85 E mount housings, such as NA-A6300/A6400/A6500/A6600

Remark: Nauticam supports only e-manuals. Please download corresponding product manuals on [Nauticam.com](http://Nauticam.com) website, or contact us for e-manuals